

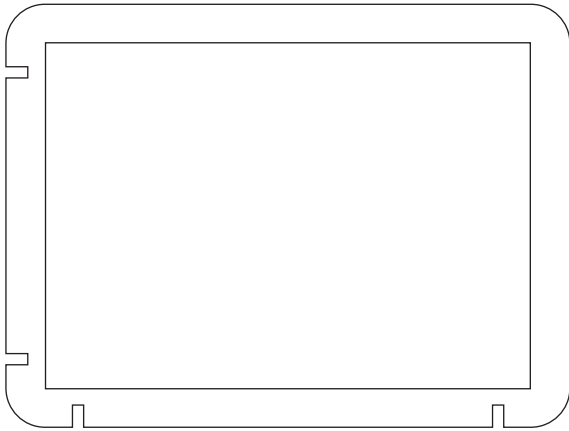
UNITED INDUSTRIES

# ULTRA BOARD™ ASSEMBLY INSTRUCTIONS

## BARRIER

### Included Pieces

Learn More at [UltraBoard.com](http://UltraBoard.com)



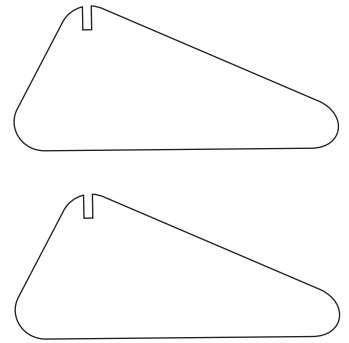
Frame



Horizontal Support

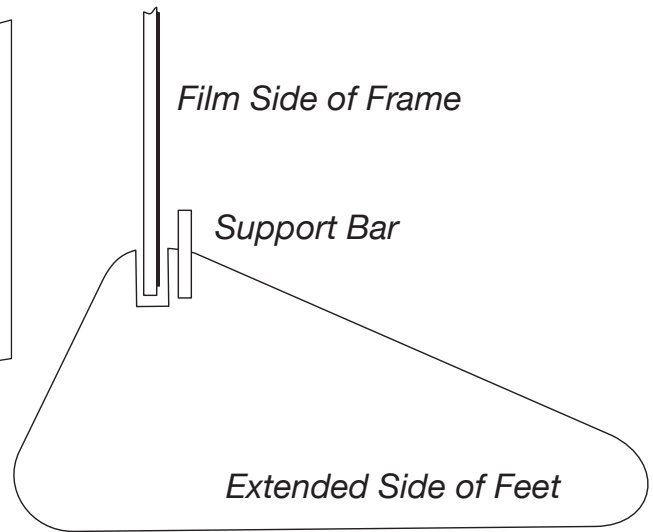
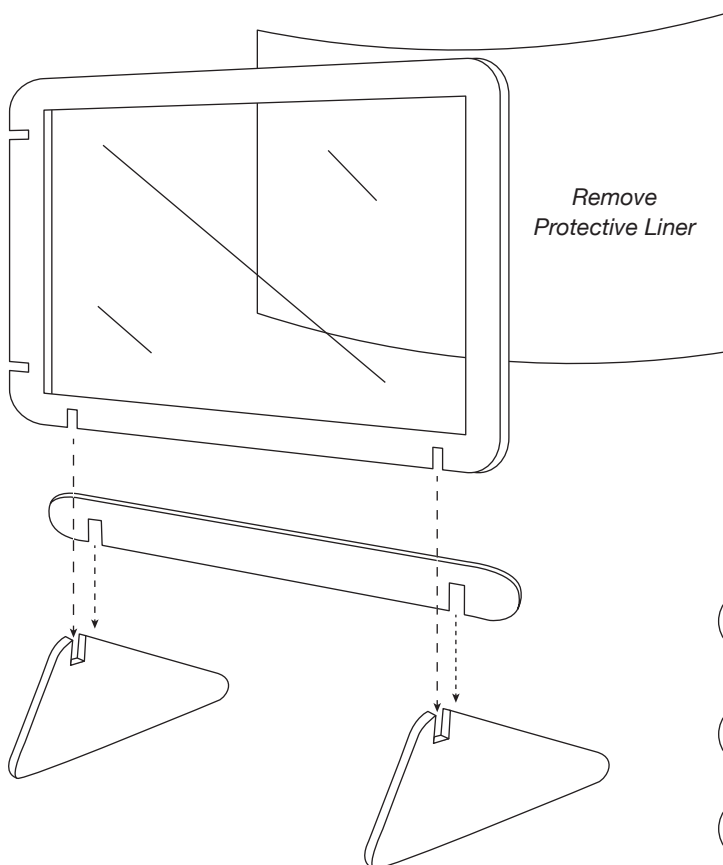


Vertical Support



Base Feet

### Assembly



- 1** Place the Support Bar behind the feet slots on the extended side of the feet.
- 2** Insert the frame into the receiving slots of the base feet with the film side facing the support bar and the extended side of the base feet.
- 3** Peel away the removeable protective liner.